

9

8

7

6

5

4

3

2

1

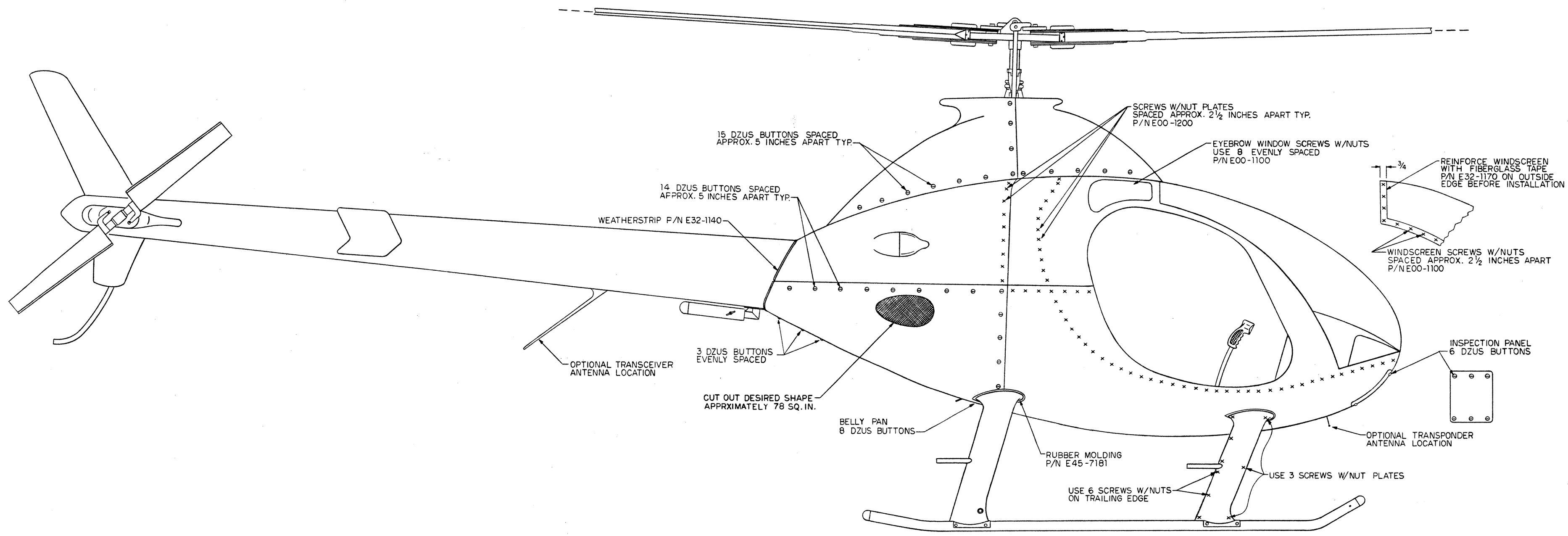
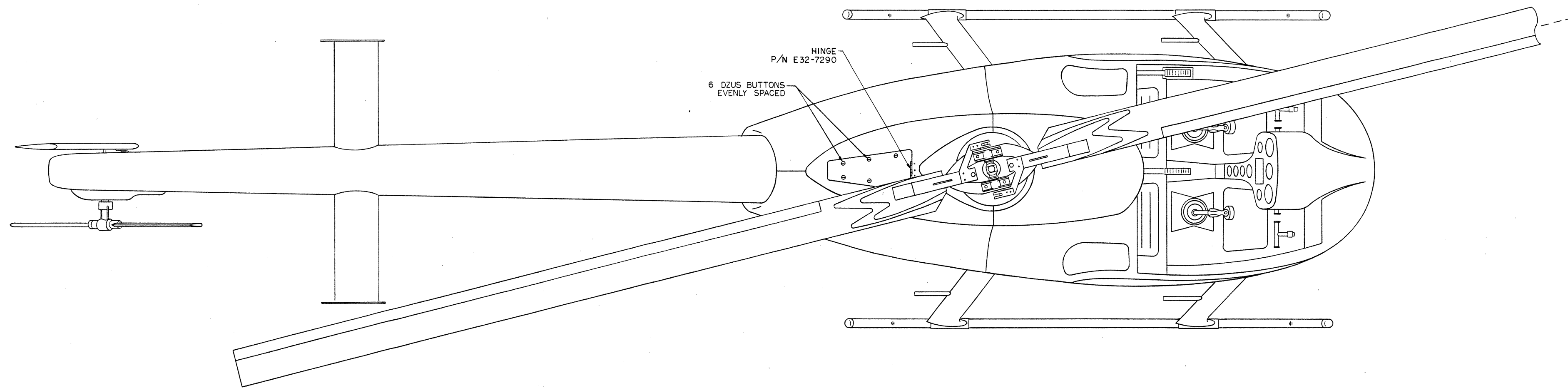
A

B

C

D

E



ROTORWAY INTERNATIONAL		PHOENIX, ARIZONA	
SCALE: NONE	APPROVED BY: <i>[Signature]</i>	DRAWN BY: WAR	REVISED 5-2-94
DATE: 3-6-91			
BODY DETAILS			
DRAWING NUMBER: E32-2000-1			

5-2-94 REVISION 1: ADD DOGHOUSE HINGE, NEW SIDE SCOOPS